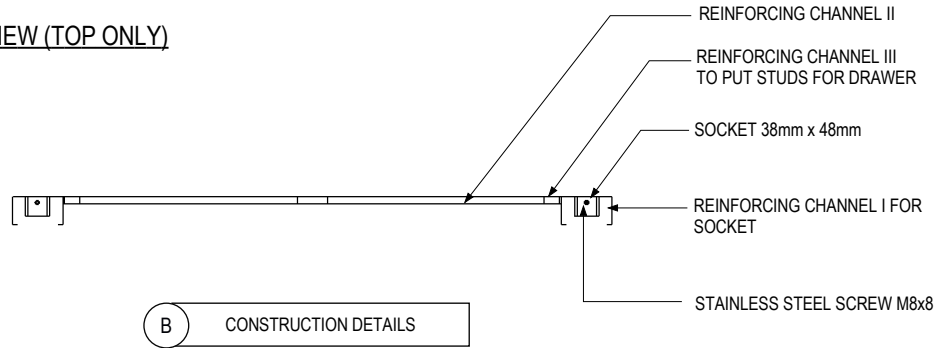
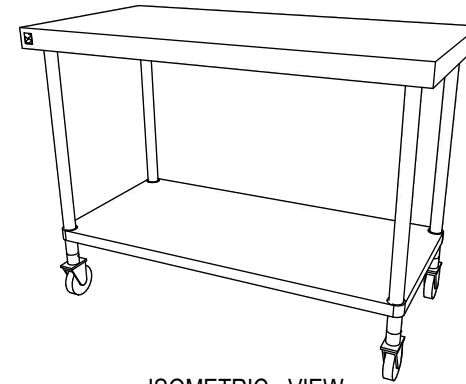


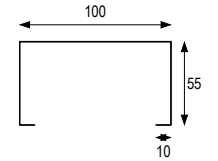
**BOTTOM-PLAN VIEW (TOP ONLY)**



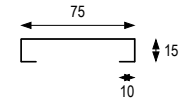
**B CONSTRUCTION DETAILS**



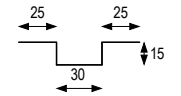
**ISOMETRIC - VIEW  
do not scale**



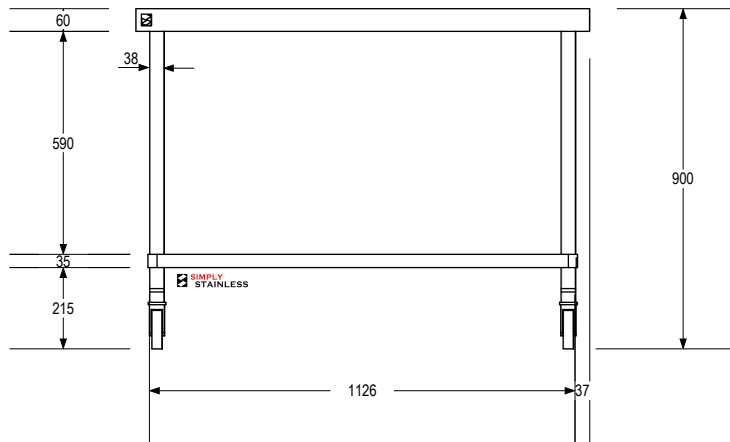
**REINFORCING CHANNEL I  
DETAILS**



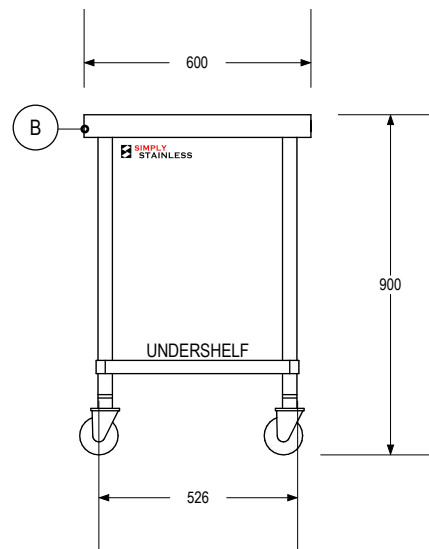
**REINFORCING CHANNEL II  
DETAILS**



**REINFORCING CHANNEL III  
DETAILS**



**FRONT - VIEW**



**SIDE - VIEW**



www.simplystainless.com  
Modular Sinks Tables and Shelving

**COPYRIGHT © 2016**

This drawing is the property of CI Group Pty Ltd. Trading as SIMPLY STAINLESS and It may not be copied, reproduced or modified in whole or in part without prior written permission of CI Group Pty Ltd. SIMPLY STAINLESS reserves the right to change specification and design without notice.

**EU 03-6-1200 MOBILE WORK BENCH**

scale 1:20

- FULL SS CONSTRUCTION NOTES :**
1. TOP MADE FROM 1.2mm STAINLESS STEEL.
  2. CHANNEL REINFORCING I , II & III MADE FROM 1.2mm STAINLESS STEEL.
  3. FRAME MADE FROM Ø38mm STAINLESS STEEL TUBE.
  4. UNDERSHELF MADE FROM 1.2mm STAINLESS STEEL.
  5. FEET ARE Ø100mm SWIVEL CASTORS, 3x LOCKING & 3x NON-LOCKING.